



**EIBENSTOCK**



*Patented system*

**Bohrwurm EBW 1300**

Body-protecting drilling  
with low risk potential



## EBW 1300

### The mobile drill rig for drilling up to 2.30 m working height\*

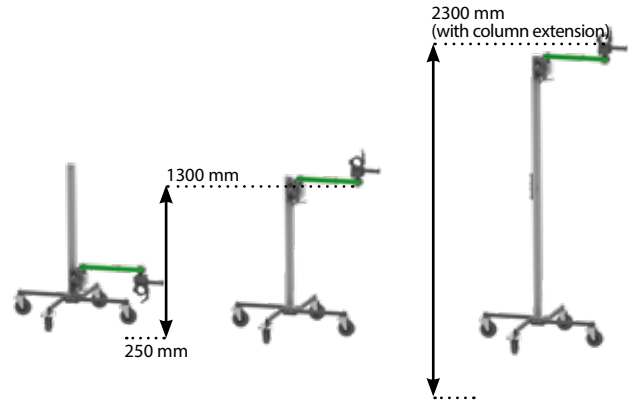
#### USE:

- Fatigue-free and effortless drilling
- Reduces the risk of accidents to a minimum – no injuries of the wrists in the case of jamming
- For EIBENSTOCK diamond core drills as well as core drills and hammer drills from various manufacturers up to 60 mm collar diameter
- Sanitary, heating and ventilation construction, electricians, civil engineering, drilling operators, machine rental

#### FEATURES:

- No mounting damage to the wall as with “conventional” drill stands
- Short set-up times, even when drilling at height
- High efficiency in serial drilling at the same height
- Easy and space-saving to transport
- Flexible, stepless adjustment of the drilling height using the crank feed
- Mechanical lock between carriage and column enables safe lowering of the machine including drill bit and drill core


\* with column extension accessory



Specifications	EBW 1300
Working height	250-1300 mm
Collar diameter	max. 60 mm
Weight	24.5 kg
Order no.	09655000

Accessories	Column extension
Working height	up to 2300 mm
Order no.	3582G000



Accessories	Reducing rings
	
Order no.	
Ø 60 - Ø 43 mm	35821000
Ø 60 - Ø 46 mm	35825000
Ø 60 - Ø 53 mm	35820000



Series drilling



Core drilling for the chimney connection

Elektrowerkzeuge GmbH Eibenstock  
Auersbergstraße 10  
08309 Eibenstock

Phone: +49 37752 503-0  
Web: [www.eibenstock.com](http://www.eibenstock.com)  
E-Mail: [office@eibenstock.com](mailto:office@eibenstock.com)

Certified according to DIN EN ISO 9001:2015  
Technical changes excepted! Illustrations may vary!

Your dealer: